

This drawing shows a cross-section of a material with a grid-like pattern. The grid is formed by interconnected, rounded rectangular cells. The cells are arranged in a regular, repeating pattern. The drawing is labeled with various numbers and letters to identify specific parts of the structure.

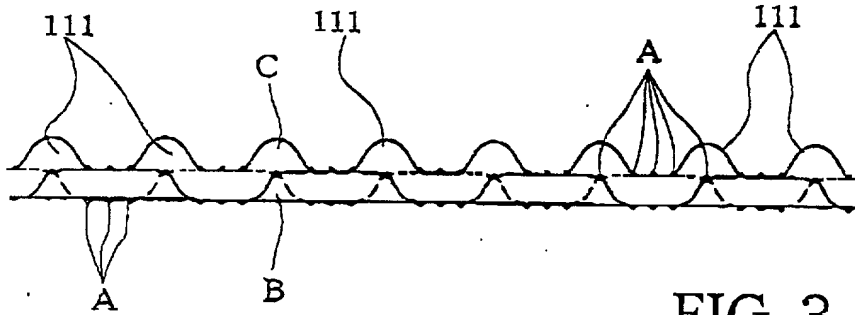


FIG. 3

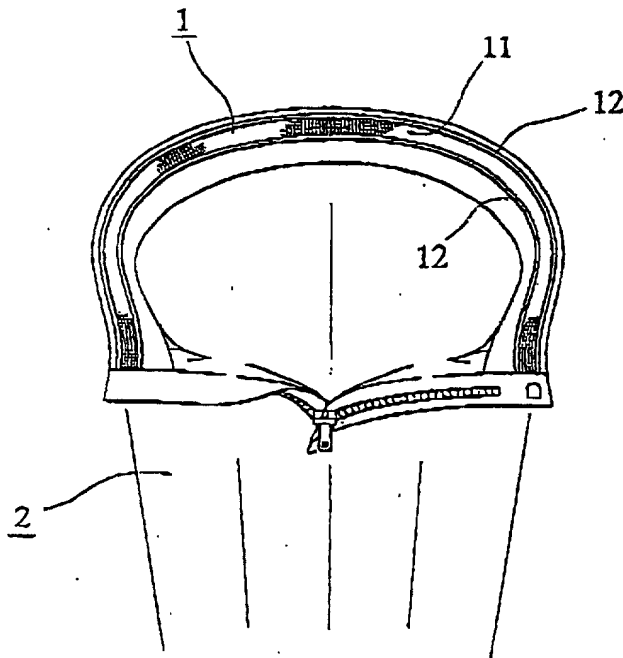


FIG. 4

THIS DOCUMENT CONTAINS NEITHER RECOMMENDATIONS NOR
CONCLUSIONS OF THE NATIONAL BUREAU OF STANDARDS
AND IS INTENDED TO PROVIDE INFORMATION TO THE PUBLIC
ON TECHNICAL MATTERS OF A GENERAL NATURE. IT DOES NOT
CONSTITUTE AN OFFICIAL NATIONAL BUREAU OF STANDARDS
PUBLICATION.

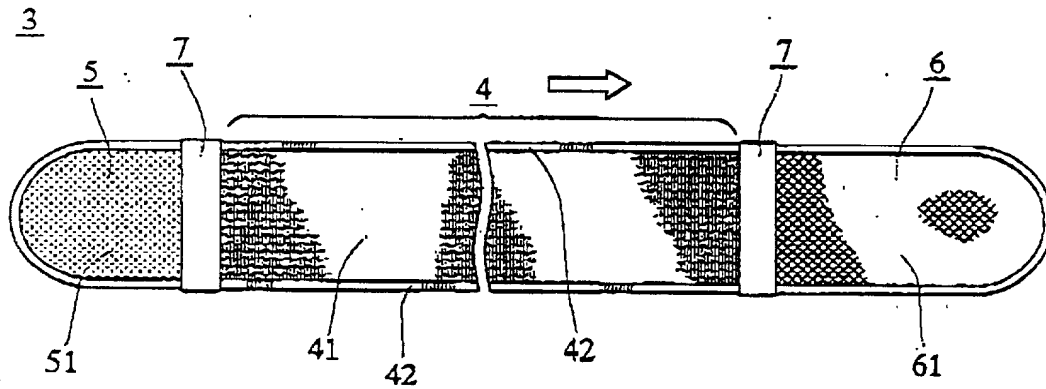


FIG. 5

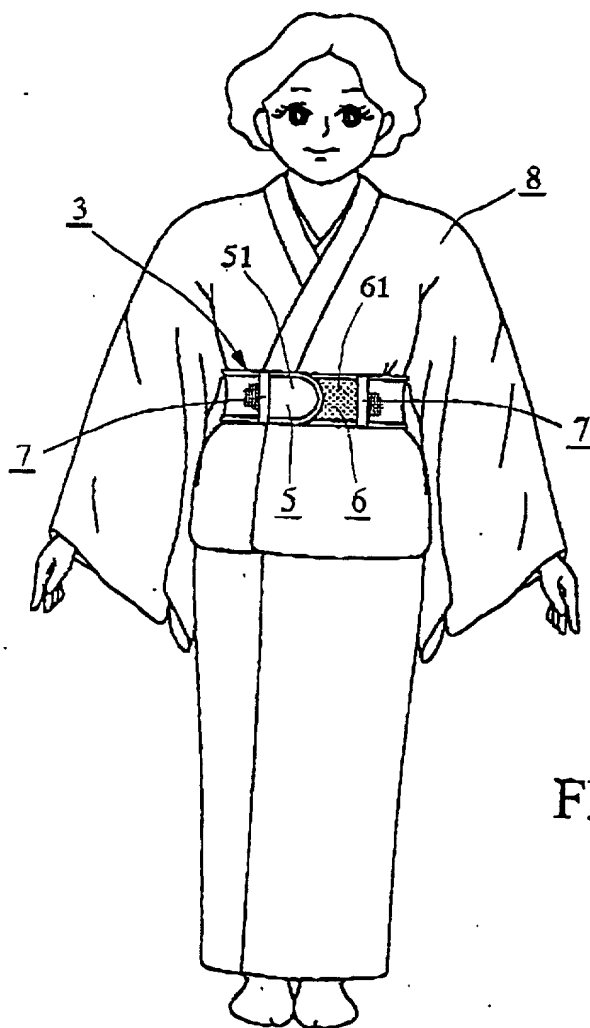


FIG. 6

Copyright © 2005 by JonesTuller & Associates, Inc. All rights reserved. No part of this document may be reproduced without written permission from JonesTuller & Associates, Inc.